

### Features

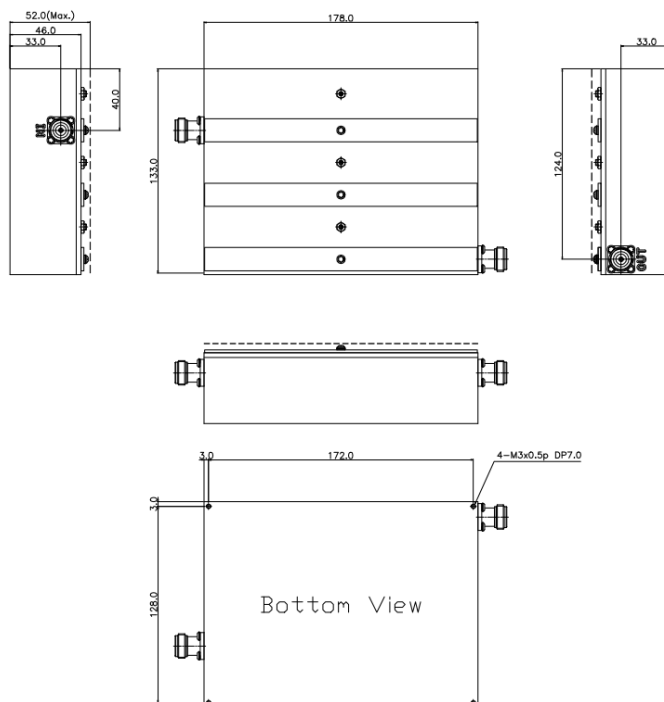
- LTE Band 14 uplink BAND STOP FILTER
- Typical 0.7 dB Insertion Loss
- Typical 63.0 dB Stop Band Attenuation



### Specifications

Parameter	Specifications	Remarks
Pass Band Frequency Range	Dc ~ 777 MHz, 808 ~ 2,700 MHz	
Insertion Loss (Max.)	2.0 dB @ Pass Band	
Stop Band Attenuation (Min.)	60 dB @ 788 ~ 798 MHz	LTE Band 14 UL
Return Loss (Min.)	12 dB @ Pass Band	
In/ Out Impedance	50 Ω	
Handling Power(Max.)	CW 10 W Max.	
Dimensions	133.0 * 178.0 * 52.0 mm	Excluding Connectors
Connectors	N (F)	

### Outline drawing



Units : mm, Tolerance : +/- 0.2 mm

# Typical Response

